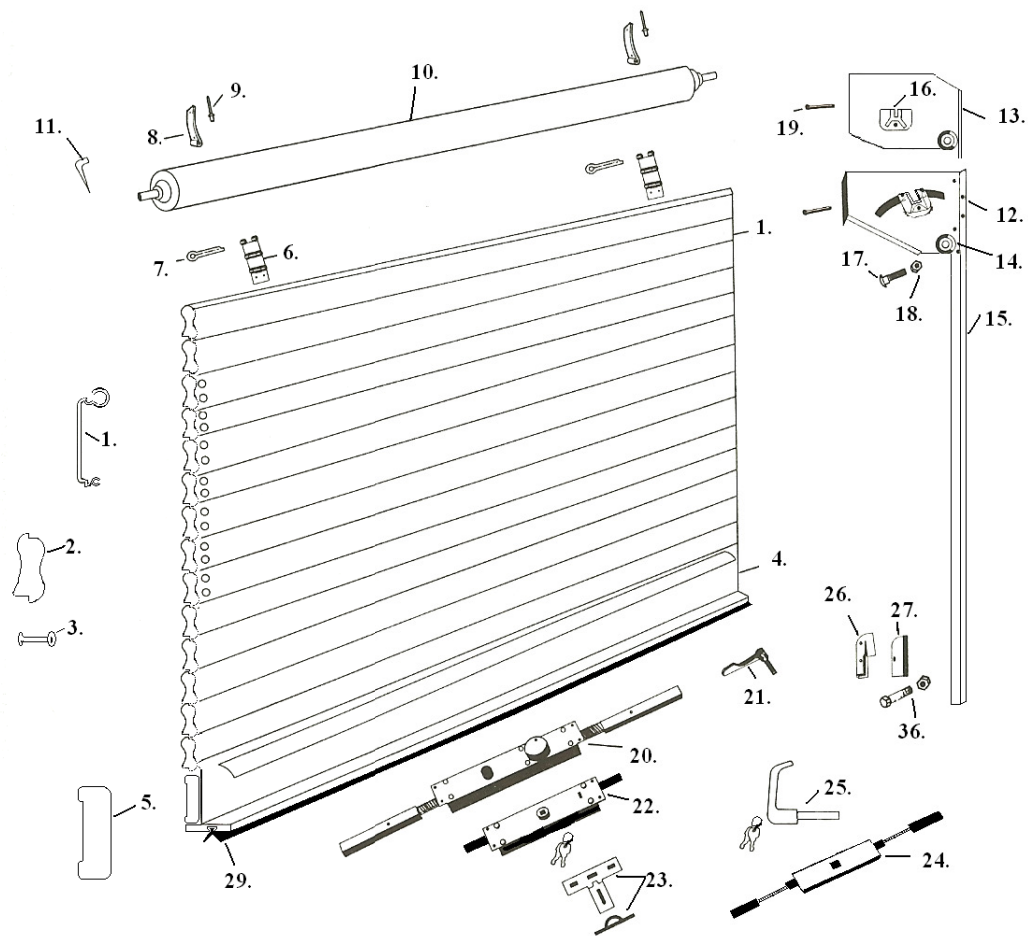


# 50mm Aluminium Shutter



1. ALUMINIUM LATH SECTION
2. NYLON END
3. RIVETS & WASHERS
4. BOTTOM RAIL WITH FINGER RAIL
5. BOTTOM BLOCK
6. TOP HINGE
7. SPLIT PIN
8. BARREL CLIP
9. RIVET
10. SPRING ROLLER
11. CHARGE PIN
12. SWING ARM BRACKET
13. FIXED BRACKET
14. TOP WHEEL
15. GALVANISED STEEL CHANNEL
16. SPRING CUP
17. SCREWS CSK M6 x 20
18. NUTS M6
19. COTTER PIN 5mm x 40mm
20. DRS 19 HIGH SECURITY TRANSVERSE LOCK
21. SPADE ENDED HANDLE AND BAR
22. CENTRE LOCK WITH KEYS
23. HASP & STAPLE
24. ROD LOCK
25. LOCKING L HANDLE
26. NYLON LOCK CAM
27. STEEL CAM PLATE
28. CSK NUT & BOLT
29. BOTTOM SEAL

## ROOF SHUTTER

- 
30. WELDED CHANNEL & BEND
  31. POLYESTER TAPE
  32. RADIUS TAPE END
  33. FLAT TAPE END

## DOVER VANGUARD ROLLER SHUTTERS LTD

Coldhurst Street, Oldham, OL1 2DN, England  
 Telephone: 0044 (0)161 652 3498  
 Fax: 0044 (0)161 627 2697  
 Email: [sfyfe@dovervanguard.co.uk](mailto:sfyfe@dovervanguard.co.uk)